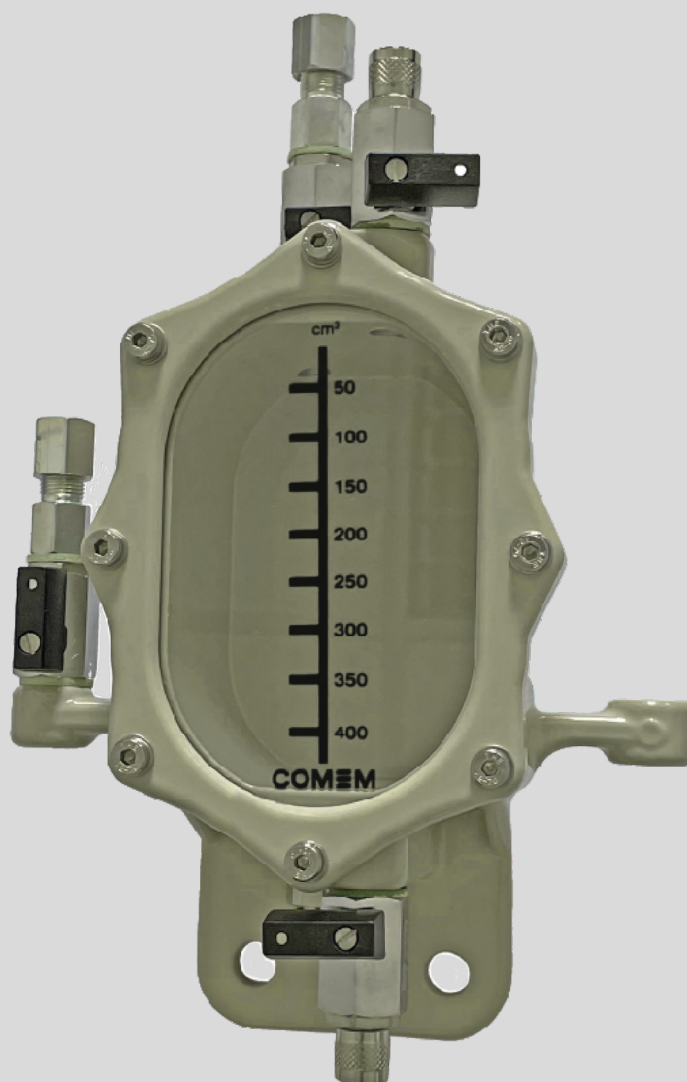


TECHNICAL GUIDE

Gas sampling devices GSD2

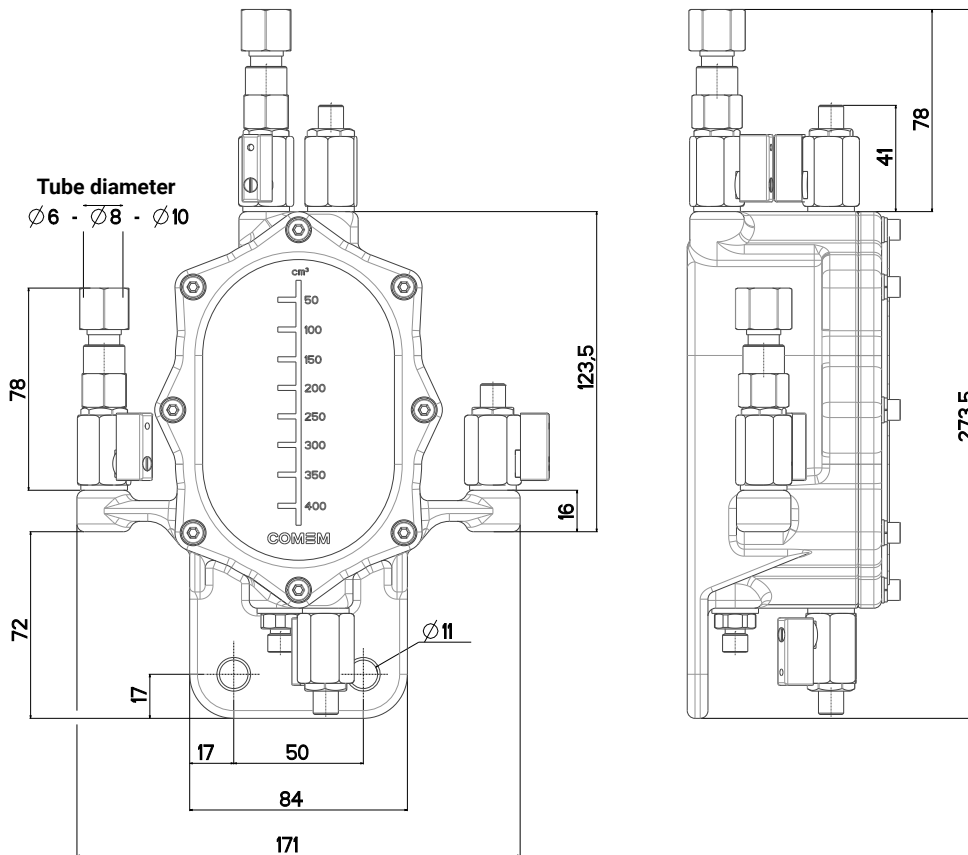


Content index

Technical data and dimensions.....	4
Order sheet.....	5

Technical data and dimensions

Gas sampling device GSD2	Technical data
Material	
Housing	Aluminum casting, RAL 7032, powder coated; Coastal area model on request (surface treatment, not painted) Off shore model on request (RAL 7035)
Characteristics data	
Standard	IEC 60076-22-1
Installation	Indoors and outdoors, tropical proof
Ambient temperature	-40 to 80°C / -40 to 176°F
Oil temperature	-40 to 115°C / -40 to 239°F
Degree of protection	IP66 in accordance with EN60529
Nominal tube diameter	Ø6, Ø8 or Ø10 mm



Weight: 1.5 Kg

Order sheet

Date	
Rev.	
Customer reference	

External Pipe Ø

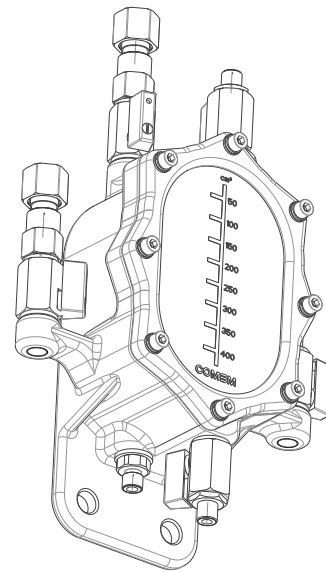
<input type="checkbox"/>	10 mm
<input type="checkbox"/>	8 mm
<input type="checkbox"/>	6 mm

Gasket Material

<input type="checkbox"/>	NBR (from -40°C upto +120°C) Standard
<input type="checkbox"/>	Fluorosilicone (from -60°C upto 200°C)

Corrosion protection class

<input type="checkbox"/>	C4 acc. to ISO 12944 (Standard)
<input type="checkbox"/>	C5-M acc. to ISO 12944 (Not paintable)
<input type="checkbox"/>	CX acc. to ISO 12944 (RAL 7035)



Notes:

For different configuration / options, please contact us (customerservice@it.comem.com)

COMEM SpA

Localita' Signolo 22, S.R.11
36054 Montebello Vicentino
Vicenza - Italy
Tel +39 0444 449 311

www.comem.com

The data and illustrations are not binding. We reserve the right to modify the contents of this document without prior notice following the technical and product developments.

Copyright 2025 COMEM. All rights reserved

Technical guide-06-2025